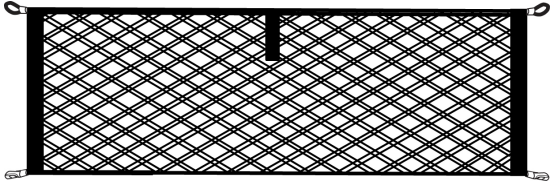
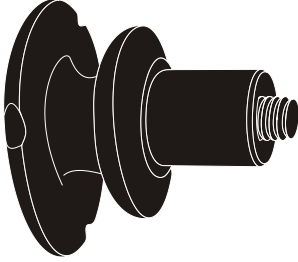

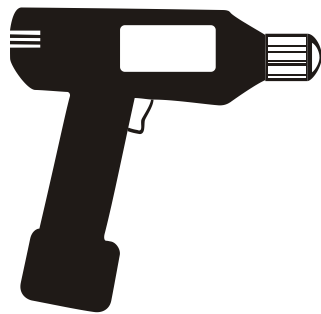


A	<b>KIT CONTENTS:</b>	B	2X	C	2X
					

**TOOLS REQUIRED:**



(1/2") 13mm Drill Bit

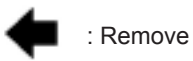


(1/4") 6mm Drill Bit

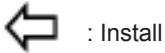


Drill Stop

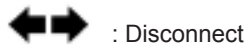
**Meaning of Characters:**



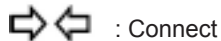
: Remove



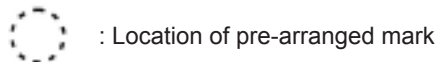
: Install



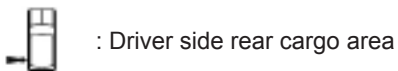
: Disconnect



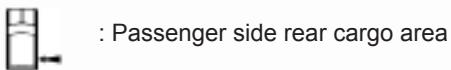
: Connect



: Location of pre-arranged mark



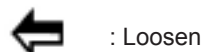
: Driver side rear cargo area



: Passenger side rear cargo area



: Tightening Torque



: Loosen



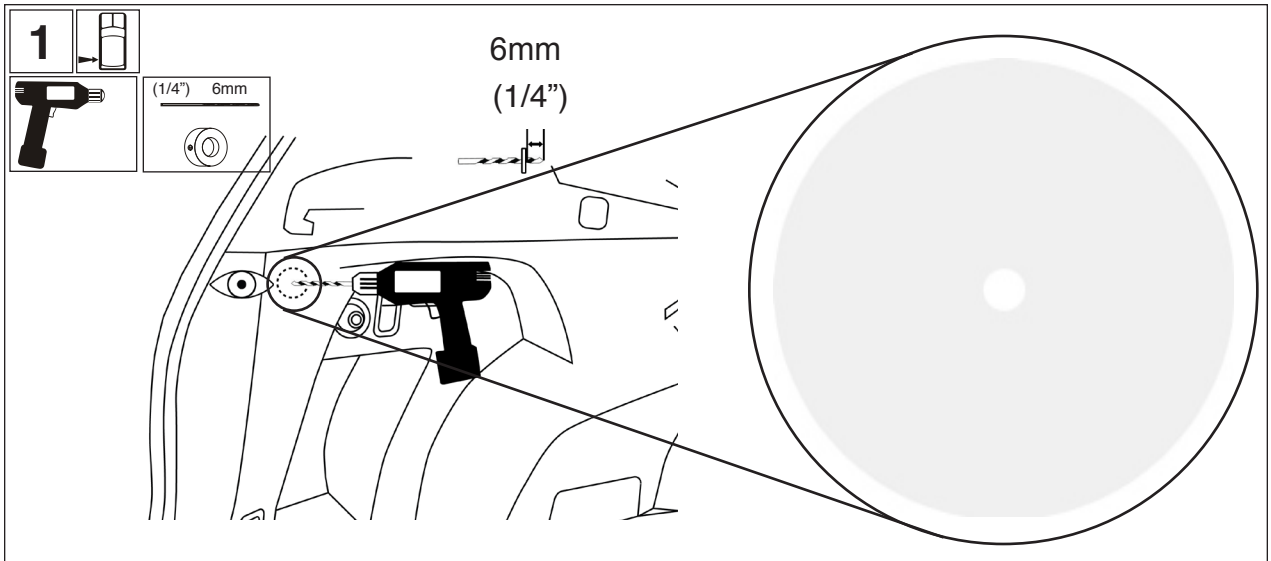
: Discard



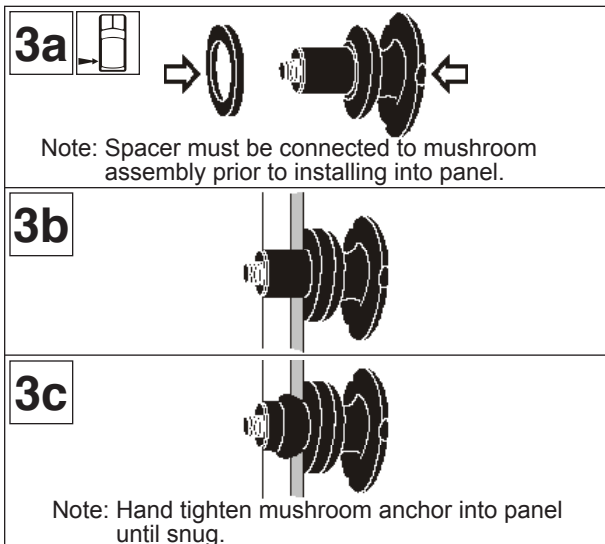
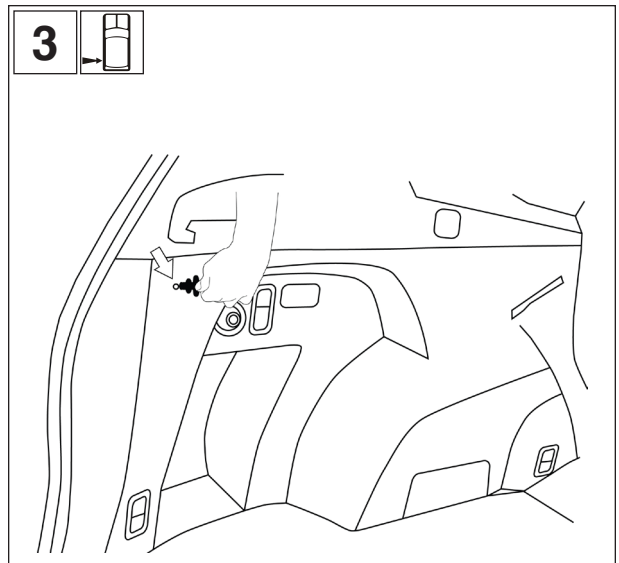
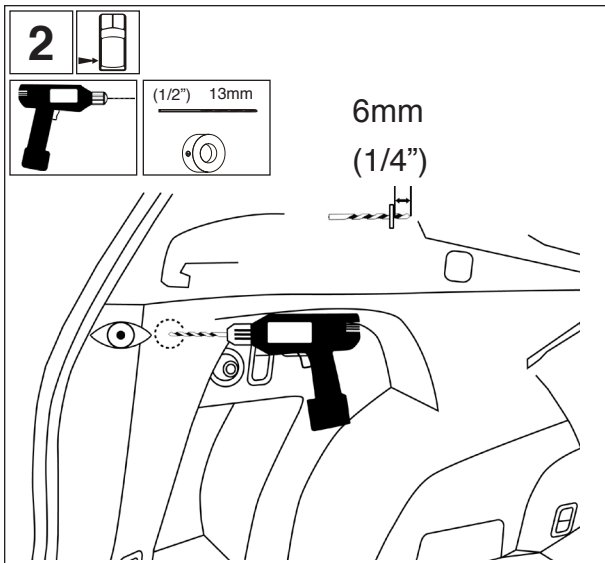
: Recyclable



: View



Note: look for dimpled, untextured area.



Note: Installation is identical for opposite side of vehicle.

